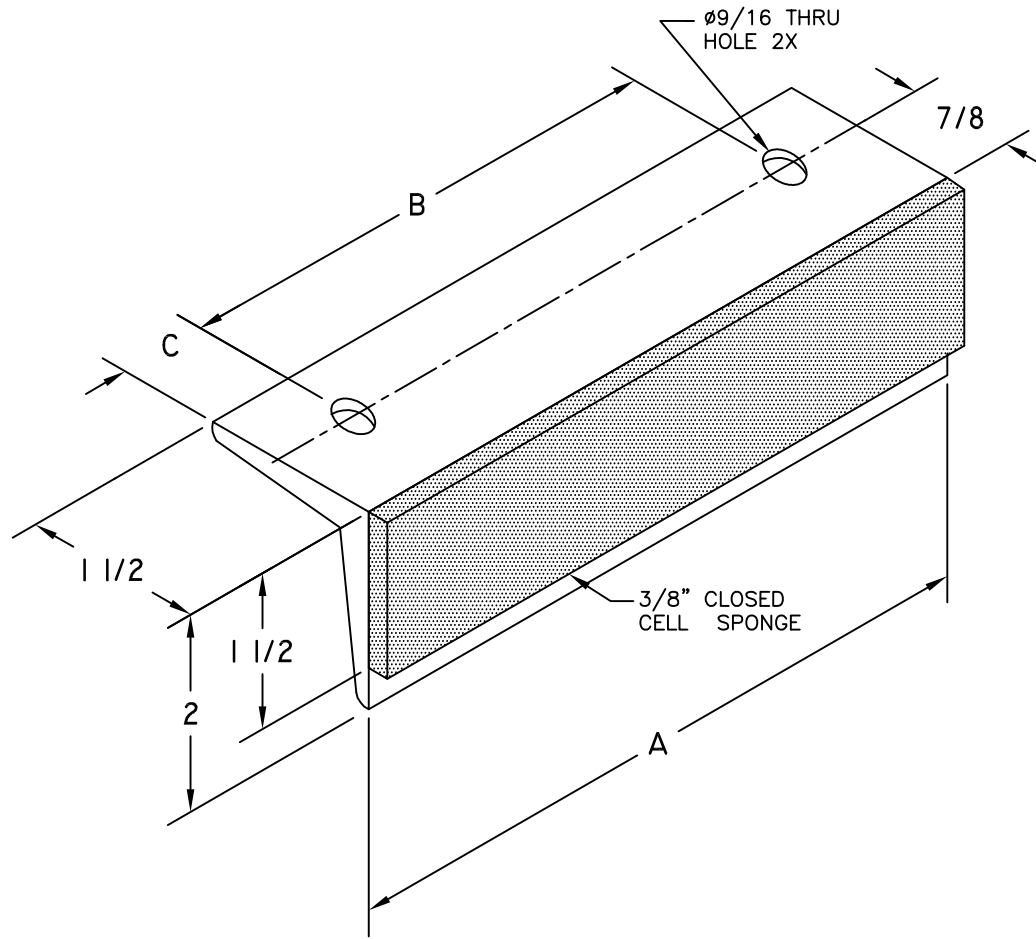


REV.	DESCRIPTION	DATE	BY



MODEL NUMBER	DIMENSION		
	A	B	C
WAB1-2	24	18	3
WAB1-3	36	24	6
WAB1-4	48	24	12

WAB'S ARE TO BE INSTALLED AT 4FT LENGTHS ON BOTH SIDES OF THE ISOLATED WALL.

OTHER MATERIALS, COMPOUNDS, OR FINISHES WITH EQUAL OR SUPERIOR PROPERTIES MAY BE SUBSTITUTED AS THEY BECOME AVAILABLE.

CERTIFIED FOR:

JOB NAME: _____

CUSTOMER : _____

CUSTOMER P.O.: _____

SALES ORDER: _____

MODEL WAB ELASTOMERIC WALL ISOLATOR



THE VMC GROUP
The Power of Together
 Bloomingdale, NJ 07403
 Houston, TX 77041

SCALE :
 NONE

SHEET: _____



DRAWING NO.: _____

REVISION _____